

---

US CATALOG

# Miniature Circuit Breakers



# S(U)200 series – SU200M, SU200MR, and S200UDC UL 489 series



## Description

The SU200M, SU200MR, and S200UDC miniature circuit breakers offer a compact solution for protection requirements. The SU200 series devices are current-limiting according to UL 489 and DIN rail mounted.

SU200M, SU200MR, and S200UDC MCBs come in up to 3 trip curves to provide maximum circuit protection.

For the worldwide market, the breakers carry UL, CSA, IEC, CE and many other agency approvals and certifications.

## Features

- UL current limiting
- Fast breaking time (2.3 – 2.5 ms)
- Bus connection system
- Wide range of accessories
- Available with variable depth handle mechanism
- CE certified and marked
- DIN rail mounting
- Finger safe terminals
- Multi-function terminals
- Suitable for reverse feed (except for S200UDC)
- UL 489 Listed - branch circuit protective device  
UL File #E212323

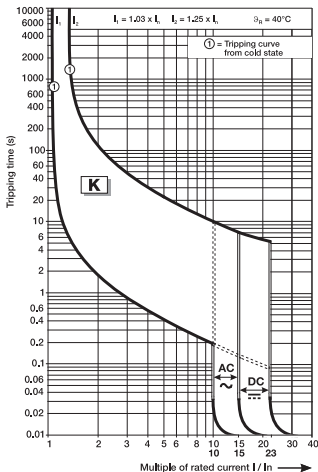
	SU200M	SU200MR	S200UDC
<b>Amperage</b>	0.2-63	0.2-63	1-63
<b>Voltage</b>	up to 277/Y480 VAC 48/96 VDC	up to 277/480 VAC	60/125 VDC
<b>Trip curves</b>	Z, C, K	K	Z, K
<b>Interrupt rating</b>	10 kA-	10 kA	14 kA
<b>Auxiliary contacts</b>	Yes	Yes	Yes
<b>Bell alarm</b>	Yes	Yes	Yes
<b>Shunt trip</b>	Yes	Yes	Yes
<b>Busbar</b>	Yes	Yes	Yes

# SU200M-K

## Branch circuit protection—UL 489, CSA 22.2 No. 5



Number of poles	Rated current		Number of poles	Rated current	
	$I_n$ A	Catalog number		$I_n$ A	Catalog number
1	0.2	SU201M-K0.2	3	0.2	SU203M-K0.2
	0.3	SU201M-K0.3		0.3	SU203M-K0.3
	0.5	SU201M-K0.5		0.5	SU203M-K0.5
	0.75	SU201M-K0.75		0.75	SU203M-K0.75
	1	SU201M-K1		1	SU203M-K1
	1.6	SU201M-K1.6		1.6	SU203M-K1.6
	2	SU201M-K2		2	SU203M-K2
	3	SU201M-K3		3	SU203M-K3
	4	SU201M-K4		4	SU203M-K4
	5	SU201M-K5		5	SU203M-K5
	6	SU201M-K6		6	SU203M-K6
	7	SU201M-K7		7	SU203M-K7
	8	SU201M-K8		8	SU203M-K8
	10	SU201M-K10		10	SU203M-K10
	13	SU201M-K13		13	SU203M-K13
	15	SU201M-K15		15	SU203M-K15
	16	SU201M-K16		16	SU203M-K16
	20	SU201M-K20		20	SU203M-K20
	25	SU201M-K25		25	SU203M-K25
	30	SU201M-K30		30	SU203M-K30
32	SU201M-K32	32	SU203M-K32		
35	SU201M-K35	35	SU203M-K35		
40	SU201M-K40	40	SU203M-K40		
50	SU201M-K50	50	SU203M-K50		
60	SU201M-K60	60	SU203M-K60		
63	SU201M-K63	63	SU203M-K63		
2	0.2	SU202M-K0.2	4	0.2	SU204M-K0.2
	0.3	SU202M-K0.3		0.3	SU204M-K0.3
	0.5	SU202M-K0.5		0.5	SU204M-K0.5
	0.75	SU202M-K0.75		0.75	SU204M-K0.75
	1	SU202M-K1		1	SU204M-K1
	1.6	SU202M-K1.6		1.6	SU204M-K1.6
	2	SU202M-K2		2	SU204M-K2
	3	SU202M-K3		3	SU204M-K3
	4	SU202M-K4		4	SU204M-K4
	5	SU202M-K5		5	SU204M-K5
	6	SU202M-K6		6	SU204M-K6
	7	SU202M-K7		7	SU204M-K7
	8	SU202M-K8		8	SU204M-K8
	10	SU202M-K10		10	SU204M-K10
	13	SU202M-K13		13	SU204M-K13
	15	SU202M-K15		15	SU204M-K15
	16	SU202M-K16		16	SU204M-K16
	20	SU202M-K20		20	SU204M-K20
	25	SU202M-K25		25	SU204M-K25
	30	SU202M-K30		30	SU204M-K30
32	SU202M-K32	32	SU204M-K32		
35	SU202M-K35	35	SU204M-K35		
40	SU202M-K40	40	SU204M-K40		
50	SU202M-K50	50	SU204M-K50		
60	SU202M-K60	60	SU204M-K60		
63	SU202M-K63	63	SU204M-K63		



# Technical specifications

## SU200M, SU200MR, and S200UDC—UL 489, CSA 22.2 No. 5

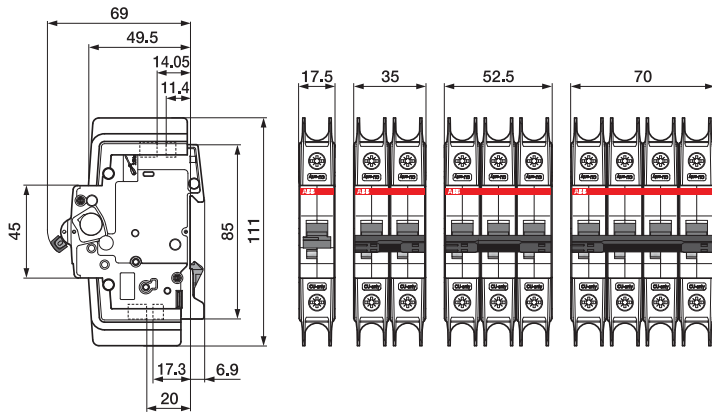
### Temperature derating SU200M and SU200MR

Standard	Rated current $I_n$ A	Maximum operating current at ambient temperature T											
		- 40 °C	- 30 °C	- 20 °C	- 10 °C	0 °C	10 °C	20 °C	30 °C	40 °C	50 °C	60 °C	70 °C
UL 489	0.2 <sup>1)</sup>	0.27	0.26	0.25	0.24	0.23	0.22	0.22	0.21	0.20	0.19	0.19	0.18
	0.3 <sup>1)</sup>	0.40	0.39	0.37	0.36	0.35	0.33	0.32	0.31	0.30	0.29	0.28	0.27
	0.5	0.67	0.64	0.62	0.60	0.58	0.56	0.54	0.52	0.5	0.48	0.46	0.45
	0.75 <sup>1)</sup>	1.00	0.97	0.93	0.90	0.87	0.84	0.81	0.78	0.75	0.72	0.70	0.67
	1	1.34	1.29	1.24	1.20	1.16	1.12	1.08	1.04	1	0.96	0.93	0.89
	1.6	1.74	1.68	1.62	1.56	1.50	1.45	1.40	1.35	1.3	1.25	1.21	1.16
	2	2.67	2.58	2.49	2.40	2.31	2.23	2.15	2.07	2	1.93	1.85	1.79
	3	4.01	3.87	3.73	3.60	3.47	3.35	3.23	3.11	3	2.89	2.78	2.68
	4	5.35	5.16	4.97	4.80	4.63	4.46	4.30	4.15	4	3.85	3.71	3.57
	5	6.69	6.45	6.22	6.00	5.78	5.58	5.38	5.19	5	4.82	4.64	4.47
	6	8.02	7.74	7.46	7.20	6.94	6.69	6.45	6.22	6	5.78	5.56	5.36
	8	10.70	10.32	9.95	9.59	9.25	8.92	8.60	8.30	8	7.70	7.42	7.14
	10	13.37	12.90	12.44	11.99	11.56	11.15	10.75	10.37	10	9.63	9.27	8.93
	13	17.38	16.76	16.17	15.59	15.03	14.50	13.98	13.48	13	12.52	12.06	11.61
	15	20.06	19.34	18.65	17.99	17.35	16.73	16.13	15.56	15	14.45	13.91	13.40
	16	21.40	20.63	19.90	19.19	18.50	17.84	17.21	16.59	16	15.41	14.84	14.29
	20	26.75	25.79	24.87	23.98	23.13	22.30	21.51	20.74	20	19.26	18.55	17.86
	25	33.43	32.24	31.09	29.98	28.91	27.88	26.88	25.93	25	24.08	23.18	22.33
	30	40.12	38.69	37.31	35.98	34.69	33.45	32.26	31.11	30	28.89	27.82	26.79
	32	42.79	41.27	39.79	38.37	37.01	35.69	34.41	33.18	32	30.82	29.68	28.58
35	46.81	45.14	43.53	41.97	40.47	39.03	37.64	36.30	35	33.71	32.46	31.26	
40	53.49	51.58	49.74	47.97	46.26	44.61	43.01	41.48	40	38.52	37.09	35.72	
50	66.87	64.48	62.18	59.96	57.82	55.76	53.77	51.85	50	48.15	46.37	44.65	
60	80.24	77.38	74.61	71.95	69.39	66.91	64.52	62.22	60	57.78	55.64	53.58	
63	84.25	81.24	78.35	75.55	72.85	70.25	67.75	65.33	63	60.67	58.42	56.26	

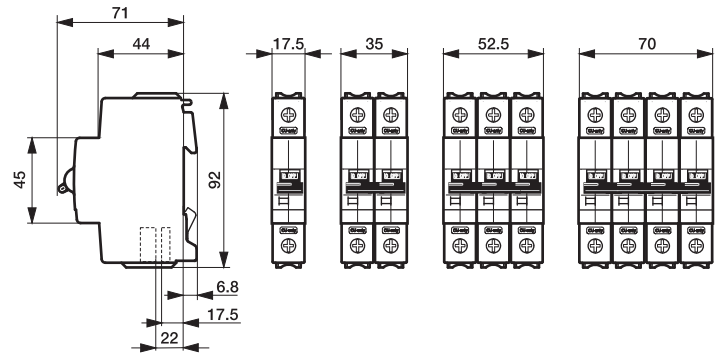
<sup>1)</sup> Current ratings 0.2, 0.3 and 0.75 A available with K characteristic only.

# Approximate dimensions SU200M, SU200MR, and S200UDC—UL 489, CSA 22.2 No. 5

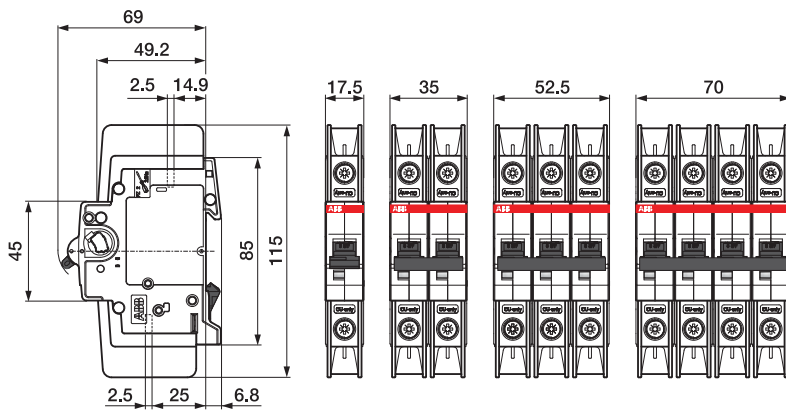
**SU200M**



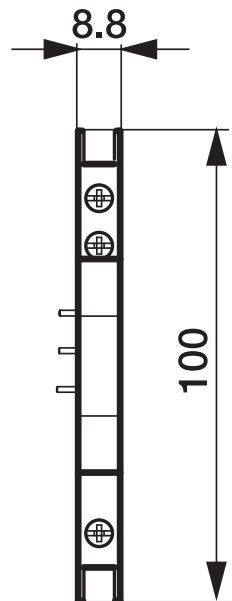
**S200UDC**



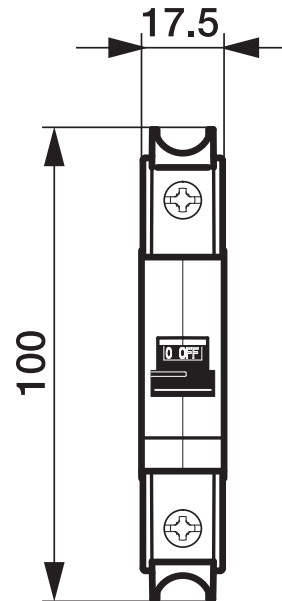
**SU200MR**



**S2C-H6RU, S2C-S6RU**



**S2C-A.U**



Dimensions in (mm)